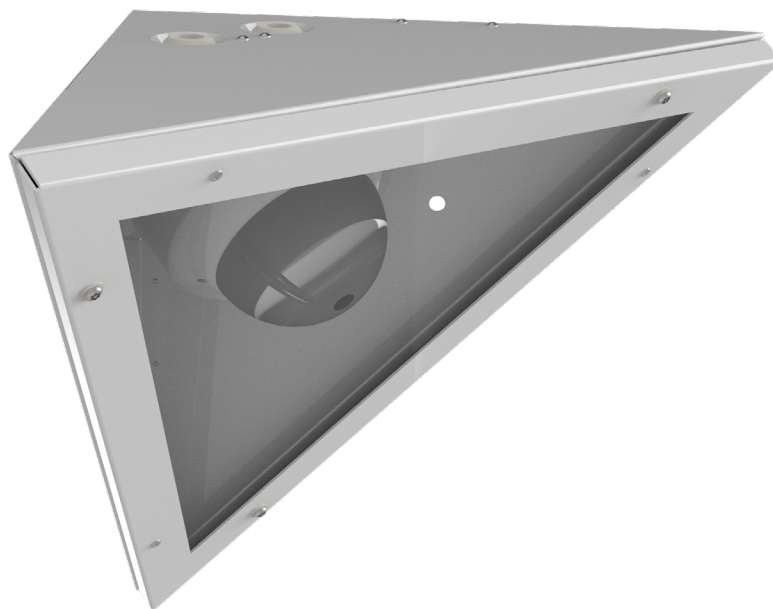




# INP CB

CAMERA BOX





## EXEMPLARY APPLICATIONS



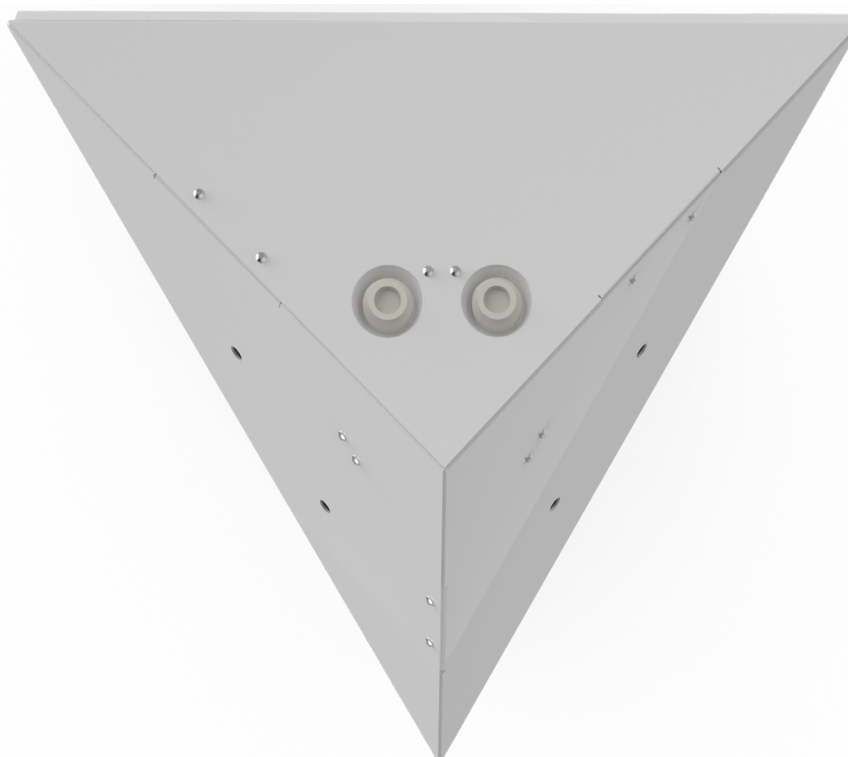
### CAMERA PROTECTION

Custodial camera box with high impact resistance factor (IK11+). Thanks to the solid and robust construction high mechanical shock resistance is preserved. Housing is made of galvanized steel, diffuser is made of thick polycarbonate layer. Construction is designed to prevent from the injuries and acts of suicide.

FEATURES

MECHANICAL PARAMETERS

	housing	powder coated galvanized steel sheet
	diffuser	thick polycarbonate
	shock resistance	IK11+ (150J)
	mounting	4 holes, easy mounting

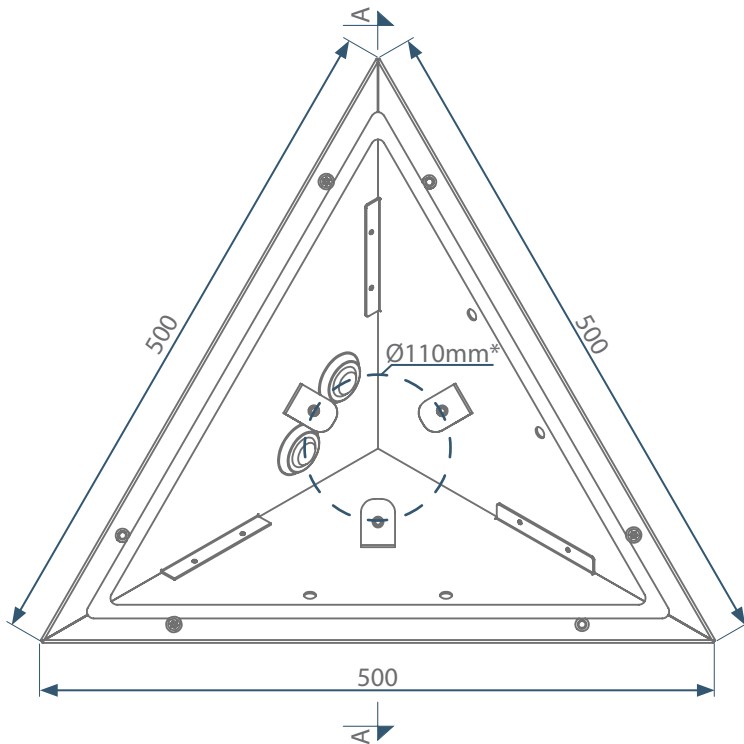


Attention:

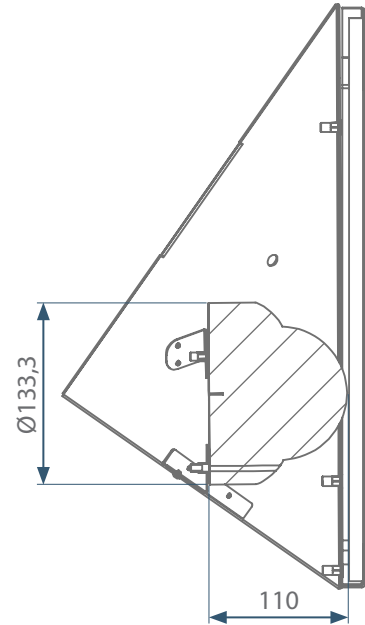
Cable inlets have been located in a recess to allow flat installation of the accessory directly to the wall.

DIMENSIONS

view from the front  
without diffuser



A-A cross-section



\* - mounting can be adjusted for different camera types.

